



Seal Type ZR600/D - Double Cartridge

PRODUCT DESCRIPTION

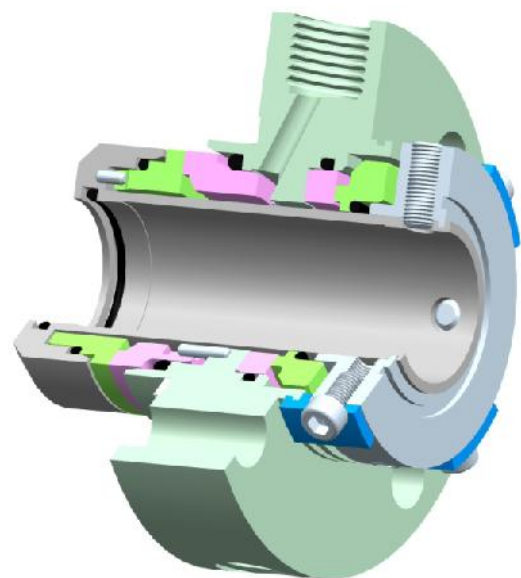
Seal Type ZR600/D are Recommended for Clean and dirty media application . Seal can tolerate reversal pressure. Seal Type ZR600/D is Standard for using where Corrosive Liquid are being Processed. This Type of Seals is designed for using for Petroleum Products, Low Aggressive Chemicals and Refrigerants in Centrifugal pumps and other Equipment with Rotating Shafts.

DESIGN FEATURES

Balance Pusher Seals available in Single and Dual Configuration used for Sealing Environmentally. Dual Directional. Stationary spring design. Heavy Duty Seal Faces remain flat during Operation to minimize Leakage. Components in Cartridge Design are Builds for the Highest Reliability and Simple Installation. Hydraulic Balance Seal Permits using high Pressure as well as it Create Low Heat Generated on Faces and provides long Life. Unitized, Easy-to-Fit Design.

MATERIALS

Seal Ring Faces : Carbon, TC and SiC
Seat Faces : SiC and TC
Elastomer : Viton, PTFE, and FFKM
MOC : SS 316 - CHANGE OF MOC ON REQUEST



OPERATING CAPABILITIES

Shaft Dia. : 20mm to 100mm
Pressure : Up to 15 bar
Temperature: -30°C to 260°C (Depending upon Elastomer)
Speed : 3000 r.p.m.

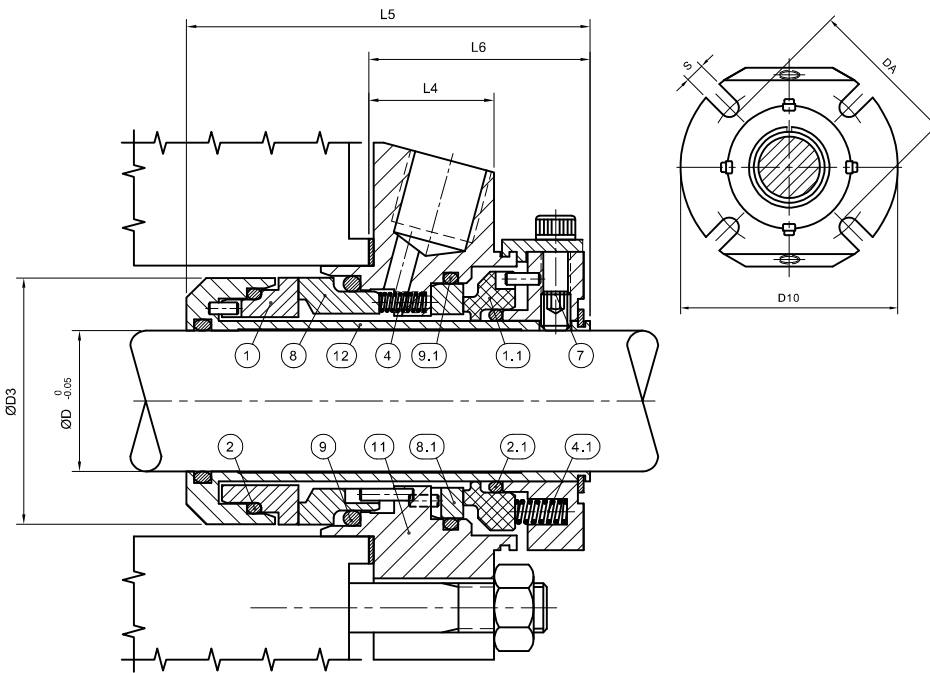


Type - ZR600/D

Double Cartridge

Part No. Description

- 1 Seal Ring
- 1.1 Seal Ring
- 2 O-Ring
- 2.1 O-Ring
- 4 Spring
- 4.1 Spring
- 7 Set Screw
- 8 Seat
- 8.1 Seat
- 9 O-Ring
- 9.1 O-Ring
- 11 Gland Plate
- 12 Sleeve



SEAL SIZE		D3	D10	DA	L4	L5	L6	S
inch	mm							
0.875	22.22	44.00	100.00	60.00	22.00	78.00	43.00	12
1.000	25.40	47.00	100.00	62.00	22.00	78.00	43.00	12
1.125	28.58	50.00	105.00	65.00	25.00	82.00	45.00	12
1.250	31.75	55.00	105.00	68.00	25.00	82.00	45.00	12
1.375	34.92	56.00	108.00	71.00	25.00	82.00	45.00	14
1.500	38.10	60.00	115.00	74.00	25.00	82.00	45.00	14
1.625	41.28	64.00	128.00	80.00	25.00	82.00	45.00	14
1.750	44.45	65.00	135.00	90.00	25.00	82.00	45.00	14
1.875	47.62	69.50	142.00	95.00	25.00	82.00	45.00	14
2.000	50.80	72.00	150.00	98.00	28.00	82.00	45.00	14
2.125	53.98	75.00	155.00	103.00	28.00	85.00	48.00	14
2.250	57.15	78.00	162.00	108.00	28.00	85.00	48.00	14
2.375	60.32	81.00	168.00	110.00	28.00	85.00	48.00	14
2.500	63.50	85.00	173.00	112.00	28.00	85.00	48.00	14
2.625	66.68	88.00	178.00	115.00	28.00	88.00	53.00	16
2.750	69.85	94.00	182.00	120.00	28.00	88.00	53.00	16
2.875	73.02	97.00	186.00	125.00	28.00	88.00	53.00	16
3.000	76.20	102.00	190.00	130.00	28.00	88.00	53.00	16
3.125	79.38	106.00	195.00	135.00	32.00	88.00	53.00	16
3.250	82.55	109.00	198.00	140.00	32.00	88.00	53.00	20
3.375	85.72	112.00	200.00	145.00	32.00	100.00	60.00	20
3.500	88.90	115.00	205.00	148.00	32.00	100.00	60.00	20
3.625	92.08	117.00	210.00	150.00	32.00	100.00	60.00	20
3.750	95.25	120.00	215.00	155.00	32.00	100.00	60.00	22
3.875	98.42	123.50	218.00	158.00	32.00	100.00	60.00	22
4.000	101.60	127.00	220.00	158.00	32.00	100.00	60.00	22

Due to continuous improvement specifications and dimensions may change without prior notice.

