



Type SPD103 & SPD103/B - Dry Running Seal

PRODUCT DESCRIPTION

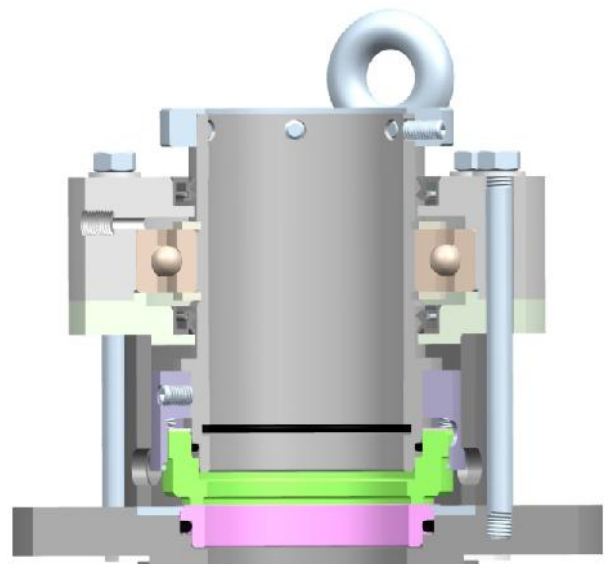
Seal Type SPD103 and SPD103/B Mechanical Seals are designed for Top, Bottom and Side Entry Drives in Agitators, Mixers OR Blenders and where Non-Aggressive and Non-Hazardous Media are Sealed with the use of Cooling Liquid preventing against Dry Running. Construction of MOC designed of these Seals purpose of holding whole Rotary Parts together with the help of Snap Rings which eases while Installation and Removal of Seals.

DESIGN FEATURES

Balance Pusher Seals which gives better performance in and for Sealing Environment. Dry Run Seals are excellent with Low RPM Operation in Vacuum conditions and as well as Undemanding Mixers Application. These Seals Design for using either without Bearing (Type SPD103) OR with Integral Bearing (Type SPD103/B). These Seals are a Multiple Spring basically External Mounted Seal with 'O' Ring as Secondary Sealing Member. Various Elastomer can be offer for various Liquid Applications. These Seal Designed with Cooling Water Jacket which ensure cool Running of Seals.

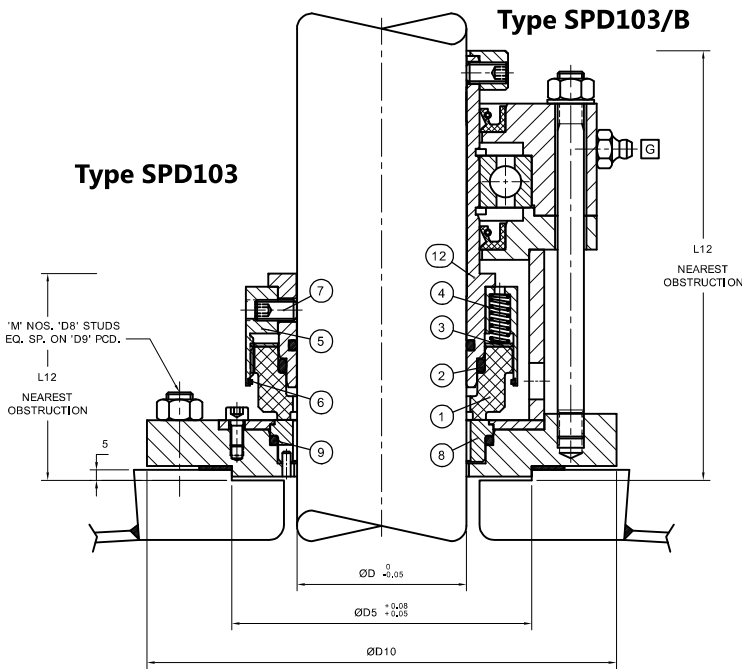
MATERIALS

Seal Ring Faces	: Carbon and SiC
Seat Faces	: SiC and TC
Elastomer	: Viton, TTV, FEP and FFKM
MOC	: SS 316 – CHANGE OF MOC ON REQUEST



OPERATING CAPABILITIES

Shaft Dia.	: 20mm to 150mm
Pressure	: Full Vacuum to 8 bar
Temperature:	-30°C to 150°C
Speed	: 300 r.p.m.



Part No.	Description
1	Seal Ring
2	O-Ring
3	Thrust Ring
4	Spring
5	Spring Holder
6	Snap Ring
7	Set Screw
8	Seat
9	O-Ring / Packing
12	Sleeve

SHAFT D mm	D5	M,D8	D9	D10	L12 SPD103	L12 SPD103B
25.00	55.00	4, M10	100.00	120.00	110.00	180.00
30.00	60.00	4, M10	110.00	130.00	110.00	180.00
35.00	65.00	4, M10	125.00	145.00	110.00	180.00
40.00	70.00	4, M10	130.00	150.00	110.00	190.00
45.00	75.00	6, M10	135.00	155.00	110.00	190.00
50.00	80.00	6, M10	140.00	160.00	110.00	190.00
55.00	100.00	6, M10	145.00	165.00	110.00	200.00
60.00	110.00	6, M10	160.00	180.00	110.00	200.00
65.00	115.00	6, M12	165.00	190.00	110.00	200.00
70.00	120.00	6, M12	170.00	195.00	110.00	210.00
75.00	120.00	6, M12	175.00	200.00	110.00	210.00
80.00	125.00	6, M12	180.00	205.00	110.00	210.00
85.00	125.00	8, M12	185.00	210.00	110.00	210.00
90.00	130.00	8, M12	190.00	215.00	110.00	225.00
95.00	130.00	8, M12	195.00	220.00	110.00	225.00
100.00	140.00	8, M12	200.00	225.00	110.00	225.00
105.00	140.00	8, M16	210.00	240.00	125.00	240.00
110.00	160.00	8, M16	220.00	250.00	125.00	240.00
115.00	170.00	8, M16	230.00	260.00	125.00	240.00
120.00	180.00	8, M16	240.00	270.00	125.00	240.00
125.00	190.00	8, M16	250.00	280.00	125.00	250.00
130.00	200.00	8, M16	260.00	290.00	125.00	250.00
140.00	210.00	8, M16	280.00	320.00	125.00	250.00
150.00	220.00	8, M16	300.00	330.00	125.00	250.00

Due to continuous improvement specifications and dimensions may change without prior notice.

