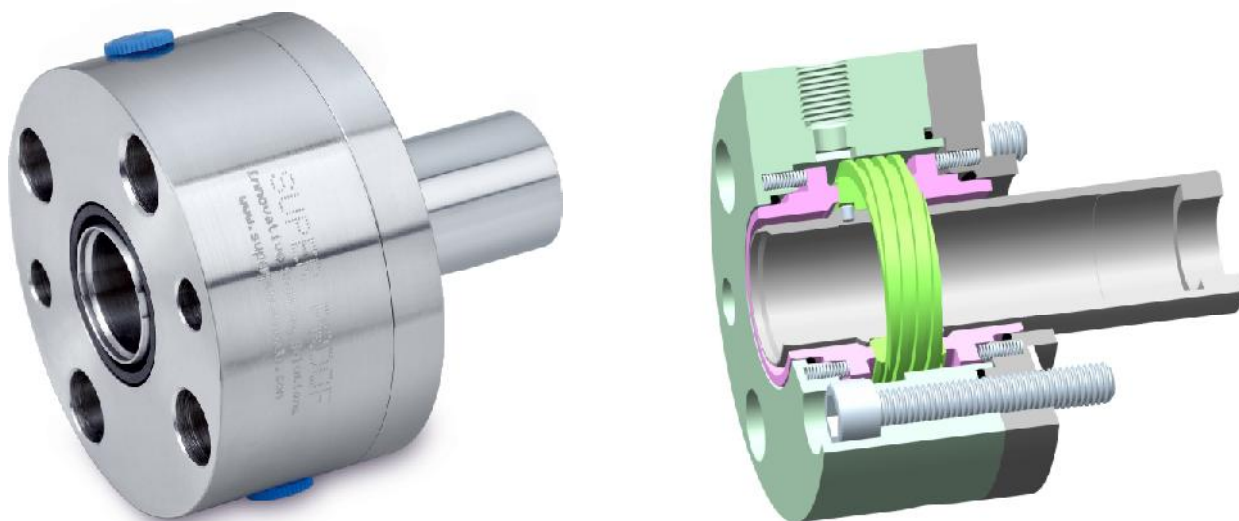


Type ZR400/D - Face to Face Seal



DESIGN FEATURES

Double seal in face-to-face arrangement, with outboard cartridge unit. The type ZR400/D a maximum of seal technology into the shortest of spaces. Hardly longer than a conventional seal cover. It fits in practically all standard seal compartments without the need for modifications or conversions.

APPLICATIONS

Ideal for boiler feed water and heavy duty process pumps.

MATERIALS

Seal Ring Faces	: Sp. Carbon, SiC
Seat Faces	: SiC and TC
Elastomer	: Viton, EPDM, NBR, FFKM
MOC	: SS 316, Duplex, Super Duplex, Hastelloy C, Monal

OPERATING CAPABILITIES

Shaft Dia.	: 20mm to 100mm
Pressure	: Up to 60 bar
Temperature	: -30°C to 260°C
Speed	: 300 r.p.m.

