



Seal Type 81 - Metal Bellow (O-Ring Type)

PRODUCT DESCRIPTION

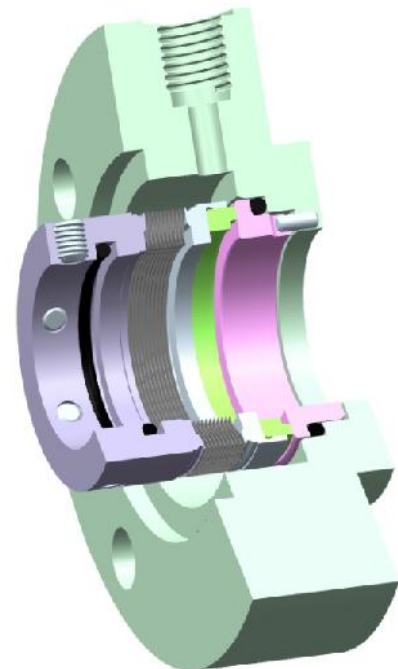
Type 81 – O' ring type mechanical seals are destined for petrochemical, chemical, pharmaceutical and food processing industry, for process pumps and other equipment with rotating shaft. Rotating bellows design acts to clear convolutions and prevent accumulation of debris. These bellow seals are constructed by welding a series of diaphragms together at the edges to form a bellows unit. Recommended for high temperature mediums e.g. hot oils, pitch, tar and other hydrocarbons, fuels, liquid gases and other mediums with low content of abrasives.

DESIGN FEATURES

Single Acting. Dual directional. Inside mounted. Inherently Balanced Mechanical Seal. Independent of direction of rotation.

MATERIALS

Seal Ring Faces : Carbon, SiC and TC
Seat Faces : TC and SiC
Elastomer : Viton, PTFE, FEP, EPDM and FFKM
End fitting MOC : SS 316, Hast – C and Carpenter 42
Bellow MOC : HAST – C, AM350 and Inconel



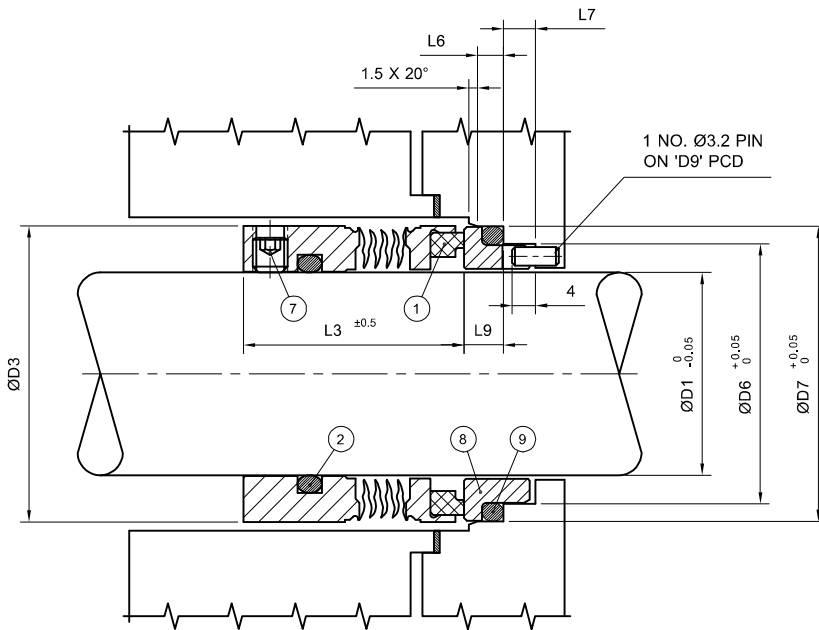
OPERATING CAPABILITIES

Shaft Dia. : 25mm to 100mm
Pressure : Up to 25 bar
Temperature: -30°C to 260°C (Depending upon Elastomer)
Speed : 3000 r.p.m.



Type - 81

Metal Bellow (O-Ring Type)



Part No.	Description
1	Metal Bellow Assembly
2	O-Ring
7	Set Screw
8	Seat
9	O-Ring

SEAL SIZE		D3	D6	D7	D9	L3	L6	L7	L9
inch	mm								
1.000	25.40	39.70	35.20	41.28	31.50	31.75	4.50	5.50	6.80
1.125	28.58	42.85	38.30	44.45	34.50	31.75	4.50	5.50	6.80
1.250	31.75	46.00	41.60	47.62	37.90	33.30	4.50	5.50	6.80
1.375	34.92	49.20	44.70	50.80	41.10	36.50	4.50	5.50	6.80
1.500	38.10	52.40	47.90	53.98	44.30	36.50	4.50	5.50	6.80
1.625	41.28	55.50	54.30	60.30	50.50	36.50	5.00	5.50	8.15
1.750	44.45	58.70	57.50	63.50	57.00	36.50	5.00	5.50	8.15
1.875	47.62	62.00	60.60	66.68	61.00	38.10	5.00	5.50	8.15
2.000	50.80	65.00	63.80	69.85	61.00	38.10	5.00	5.50	8.10
2.125	53.98	68.20	70.10	76.20	66.40	38.10	5.50	6.50	9.00
2.250	57.15	71.40	73.30	79.38	69.30	39.70	5.50	6.50	9.00
2.375	60.32	74.60	76.50	82.55	72.50	39.70	5.50	6.50	9.00
2.500	63.50	81.00	79.65	85.72	76.00	39.70	5.50	6.50	9.00
2.625	66.68	84.10	79.65	85.72	76.00	41.30	6.00	7.50	9.80
2.750	69.85	87.30	82.80	88.90	79.00	41.30	6.00	7.50	9.80
2.875	73.02	92.10	85.70	95.25	81.40	42.85	7.50	5.50	11.90
3.000	76.20	95.20	88.90	98.42	85.30	42.85	7.50	5.50	11.90
3.125	79.38	98.40	92.10	101.60	88.40	44.45	7.50	5.50	11.90
3.250	82.55	101.60	95.30	104.78	91.50	44.45	7.50	5.50	11.90
3.375	85.72	104.80	98.40	107.95	94.00	44.45	7.50	5.50	11.90
3.500	88.90	108.00	101.60	111.12	97.50	47.62	7.50	5.50	11.90
3.625	92.08	111.10	104.75	114.30	100.50	47.62	8.50	5.80	13.00
3.750	95.25	114.30	108.00	117.48	104.00	47.62	8.50	5.80	13.00
3.875	98.42	117.50	111.10	120.65	107.00	47.62	8.50	5.80	13.00
4.000	101.60	120.60	114.30	123.82	110.00	47.62	8.50	5.80	13.00

Due to continuous improvement specifications and dimensions may change without prior notice.

