



Seal Type 73 - Reverse Balance Multi Spring

PRODUCT DESCRIPTION

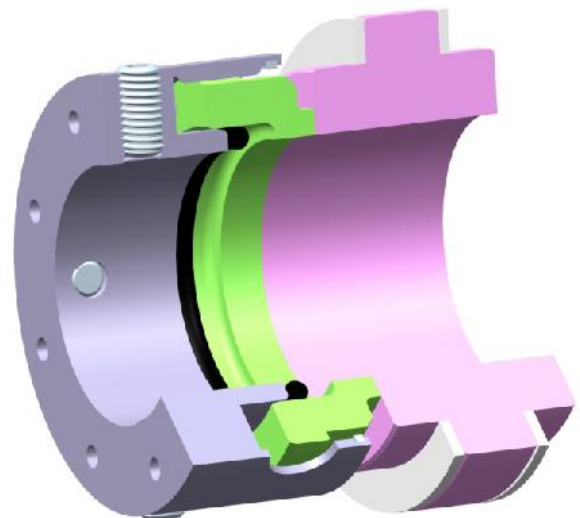
Seal Type 73 Mechanical Seals are Externally Mounted Reverse Balance design Seal which having 'O' Ring as a Secondary Sealing member. Secondary Sealing member can be changed as per Chemical Compatibility. All Metal Components including spring are Isolated from Aggressive media Sealing. Simplicity in Checkout Function and Cleaning Possibility as this Mechanical Seal located easily access outside the pump. The Single Design Seal can be installing as Dual Back to Back Arrangement and can operate on Low Barrier Fluid Pressure due to its Reverse Balance Design feature.

DESIGN FEATURES

Single Acting Mechanical Seal. Dual Directional Mechanical Seal. Outside Mounted Mechanical Seal. Reverse Balanced Design. Multi Spring design Mechanical Seal.

MATERIALS

Seal Ring Faces : Carbon and SiC
Seat Faces : Ceramic and SiC
Elastomer : Viton, EPDM, TTV, FEP and FFKM
MOC : SS 316, Hast -C and Alloy 20



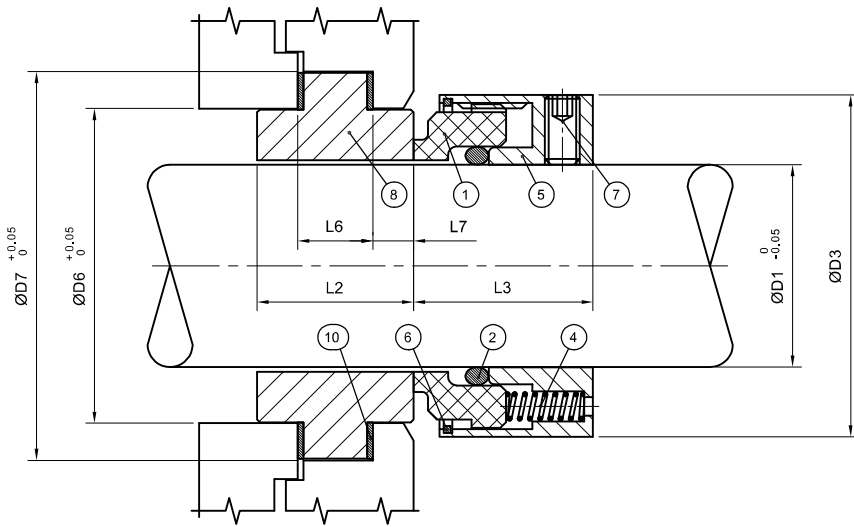
OPERATING CAPABILITIES

Shaft Dia. : 16mm to 70mm
Pressure : Up to 8 bar
Temperature: Up to 120°C
Speed : 3000 r.p.m.

Type - 73

Reverse Balance Multi Spring

- | Part No. | Description |
|----------|---------------|
| 1 | Seal Ring |
| 2 | O-Ring |
| 4 | Spring |
| 5 | Spring Holder |
| 6 | Snap Ring |
| 7 | Set Screw |
| 8 | Seat |
| 10 | Gasket |



SEAL SIZE		D3	D6	D7	L3	L2	L6	L7
inch	mm							
0.750	19.05	38.00	36.00	46.50	22.50	18.00	11.00	3.50
0.875	22.22	40.70	39.50	50.20	22.50	18.00	11.00	3.50
1.000	25.40	50.00	42.50	53.50	29.00	18.00	11.00	3.50
1.125	28.58	51.50	46.00	59.50	30.50	27.00	14.00	6.50
1.250	31.75	55.00	50.80	64.00	30.50	27.00	14.00	6.50
1.375	34.92	59.00	54.00	67.00	30.50	27.00	14.00	6.50
1.500	38.10	63.00	57.00	69.50	30.50	27.00	14.00	6.50
1.625	41.28	64.00	61.50	75.50	30.50	27.00	14.00	6.50
1.750	44.45	70.50	64.00	76.50	36.00	27.00	14.00	6.50
1.875	47.62	73.50	70.00	83.50	36.00	27.00	14.00	6.50
2.000	50.80	77.00	76.00	90.50	36.00	27.00	14.00	6.50
2.125	53.98	81.50	78.00	93.50	40.50	35.00	18.00	8.50
2.250	57.15	84.20	76.00	93.50	40.50	35.00	18.00	8.50
2.375	60.32	87.50	80.00	98.50	40.50	35.00	18.00	8.50
2.500	63.50	91.00	85.50	100.50	40.50	35.00	18.00	8.50

Due to continuous improvement specifications and dimensions may change without prior notice.

