



Type 41



Type 42

Seal Type 41 & 42 - Single Coil Spring

PRODUCT DESCRIPTION

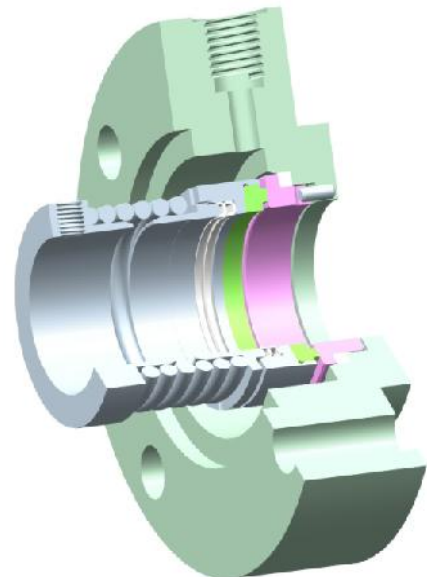
The Seal Type 41 with Single Spring design and is depended on the Shaft Rotation. Looking from Sliding Face of the Rotating Seal Ring is designed as right hand Spring for Shaft Rotation and vice-versa. In Seal Type 41 ('O' Ring Type) is designed as Torque Transmission from Drive Collar to Spring and Seal Ring. In Seal Type 42 ('V' Packing Type) is designed as Torque Transmission from Drive Collar to Spring and Seal Ring to be done through Sturdy Drive Lugs. These Seals is cost effective for Basic Application Equipment such as Centrifugal Pump and other Equipment with Rotating Shaft, Handling Crystallizing Slurry, Suspended Solid Slurry, Saturated Chemical Slurry and General Chemical Slurry.

DESIGN FEATURES

Single Acting Unbalance Pusher type Mechanical Seal. Inside Mounted Mechanical Seal. Spring Design depended on shaft rotation. Type 42 seal having Universal Chemical Compatibility due to design of PTFE Elastomer

MATERIALS

Seal Ring Faces : Carbon, SiC and TC
 Seat Faces : Ceramic, SiC and TC
 Elastomer : Viton, PTFE, GFT, TTV, EPDM, NBR, Buna-N
 MOC : SS 316



Design also available as per DIN EN 12756 standard

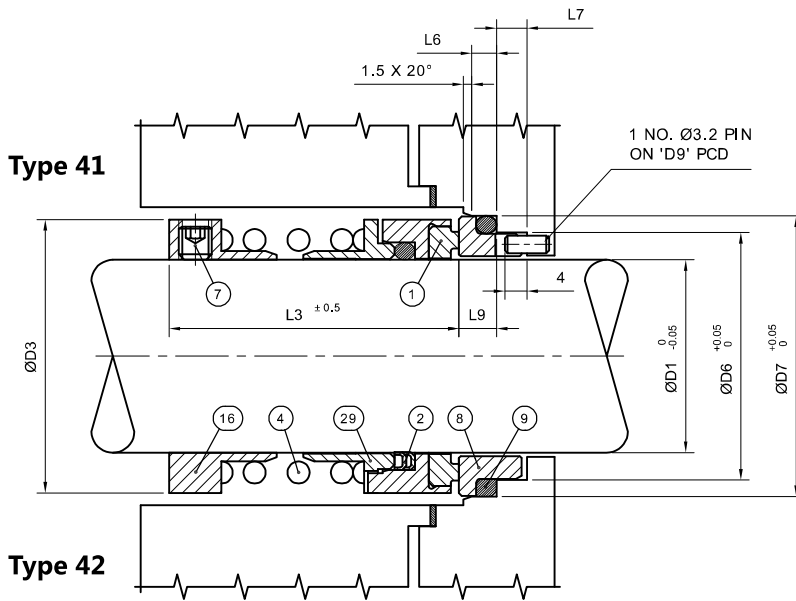
OPERATING CAPABILITIES

Shaft Dia. : 10mm to 100mm
 Pressure : Up to 10 bar
 Temperature: -20°C to 150°C
 Speed : 3000 r.p.m.



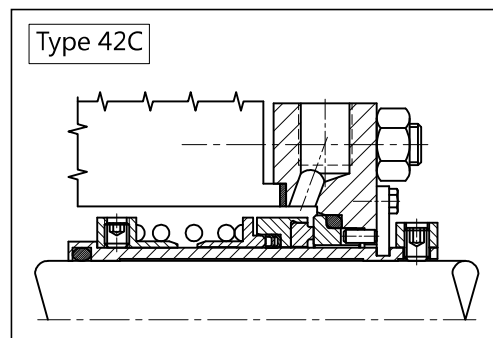
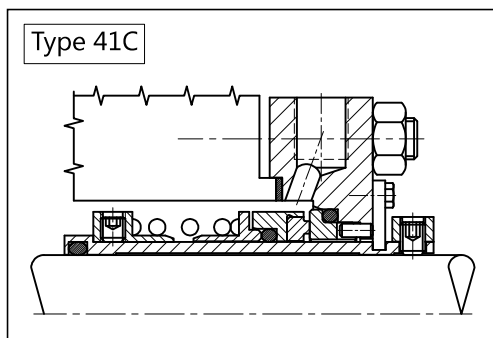
Type - 41 & 42

Single Coil Spring



- | Part No. | Description |
|----------|------------------|
| 1 | Seal Ring |
| 2 | O-Ring / Packing |
| 4 | Spring |
| 7 | Set Screw |
| 8 | Seat |
| 9 | O-Ring / Packing |
| 16 | Drive Ring |
| 29 | Pusher Ring |

SEAL SIZE		D3	D6	D7	D9	L3	L6	L7	L9
inch	mm								
0.875	22.22	37.00	32.00	38.10	28.50	48.00	4.50	5.50	6.80
1.000	25.40	40.00	35.20	41.28	31.50	48.00	4.50	5.50	6.80
1.125	28.58	43.00	38.30	44.45	34.50	50.00	4.50	5.50	6.80
1.250	31.75	47.00	41.60	47.62	37.90	50.00	4.50	5.50	6.80
1.375	34.92	49.50	44.70	50.80	41.10	52.50	4.50	5.50	6.80
1.500	38.10	55.00	47.90	53.98	44.30	52.50	4.50	5.50	6.80
1.625	41.28	58.00	54.25	60.30	50.50	57.00	5.00	5.50	8.15
1.750	44.45	59.50	57.42	63.50	57.00	62.50	5.00	5.50	8.15
1.875	47.62	63.50	60.60	66.68	61.00	62.50	5.00	5.50	8.15
2.000	50.80	65.00	63.75	69.85	61.00	65.50	5.00	5.50	8.10
2.125	53.98	68.00	70.10	76.20	70.20	67.00	5.50	6.50	9.00
2.250	57.15	72.00	73.30	79.38	72.70	70.00	5.50	6.50	9.00
2.375	60.32	78.50	76.45	82.55	72.70	72.00	5.50	6.50	9.00
2.500	63.50	81.50	79.65	85.72	76.00	72.00	5.50	6.50	9.00
2.625	66.68	84.50	79.65	85.72	76.00	74.00	6.00	7.50	9.80
2.750	69.85	87.50	82.80	88.90	79.00	74.00	6.00	7.50	9.80
2.875	73.02	90.00	85.70	95.25	81.40	78.50	7.50	5.50	11.90
3.000	76.20	95.50	88.90	98.42	85.30	82.50	7.50	5.50	11.90
3.125	79.38	101.00	92.05	101.60	91.50	82.50	7.50	5.50	11.90
3.250	82.55	103.00	95.25	104.78	91.50	84.50	7.50	5.50	11.90
3.375	85.72	108.00	98.40	107.95	94.00	84.50	7.50	5.50	11.90
3.500	88.90	114.00	101.60	111.12	98.40	88.00	7.50	5.50	11.90
3.625	92.08	114.00	104.75	114.30	100.00	88.00	8.50	5.80	13.00
3.750	95.25	118.00	107.95	117.48	104.00	90.50	8.50	5.80	13.00
3.875	98.42	122.00	111.10	120.65	107.00	90.50	8.50	5.80	13.00
4.000	101.6	125.00	114.30	123.82	110.00	95.50	8.50	5.80	13.00



Due to continuous improvement specifications and dimensions may change without prior notice.