



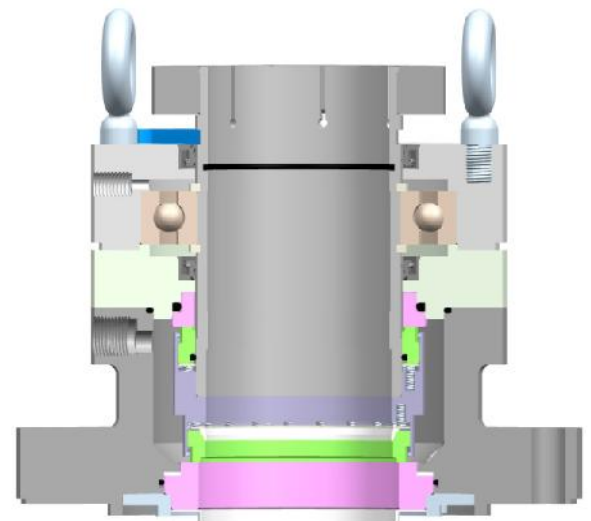
## Type 521/D & 521/D/B - Double Seal for Glass Lined Reactor

### PRODUCT DESCRIPTION

Seal Type 521/D and 521/D/B Mechanical Seals are designed for Top Entry Drives in Glass Lined Vessel. Compact Economical Cartridge Mechanical Seal for Glass Lined Vessel. These Seal specially designed for any mixed and pressurized liquid in Vessel with Top Entry Agitators where no leakage of Highly Acidic Process Gas OR Fluids to the Environment can be tolerated. Complete Pre-assembled Tested Unit ready for installation. These Seal are used for Exclusive Solid Seal Faces, Stationary Seats, thus Lowest Level of Seal face distortion when Expose to Compressive Load and Thermal Pressure.

### DESIGN FEATURES

Balance Pusher Seals which gives better performance in and for Sealing Environment. Double Seals are excellent with Low RPM Operation in Full Vacuum and Pressure. The design may either without bearing (Type 521/D) or with integral bearing (521/D/B). Various Elastomers can be offer for various Liquid applications. These Seals Designed with Cooling Water Jacket which ensure Cool Running of seals.

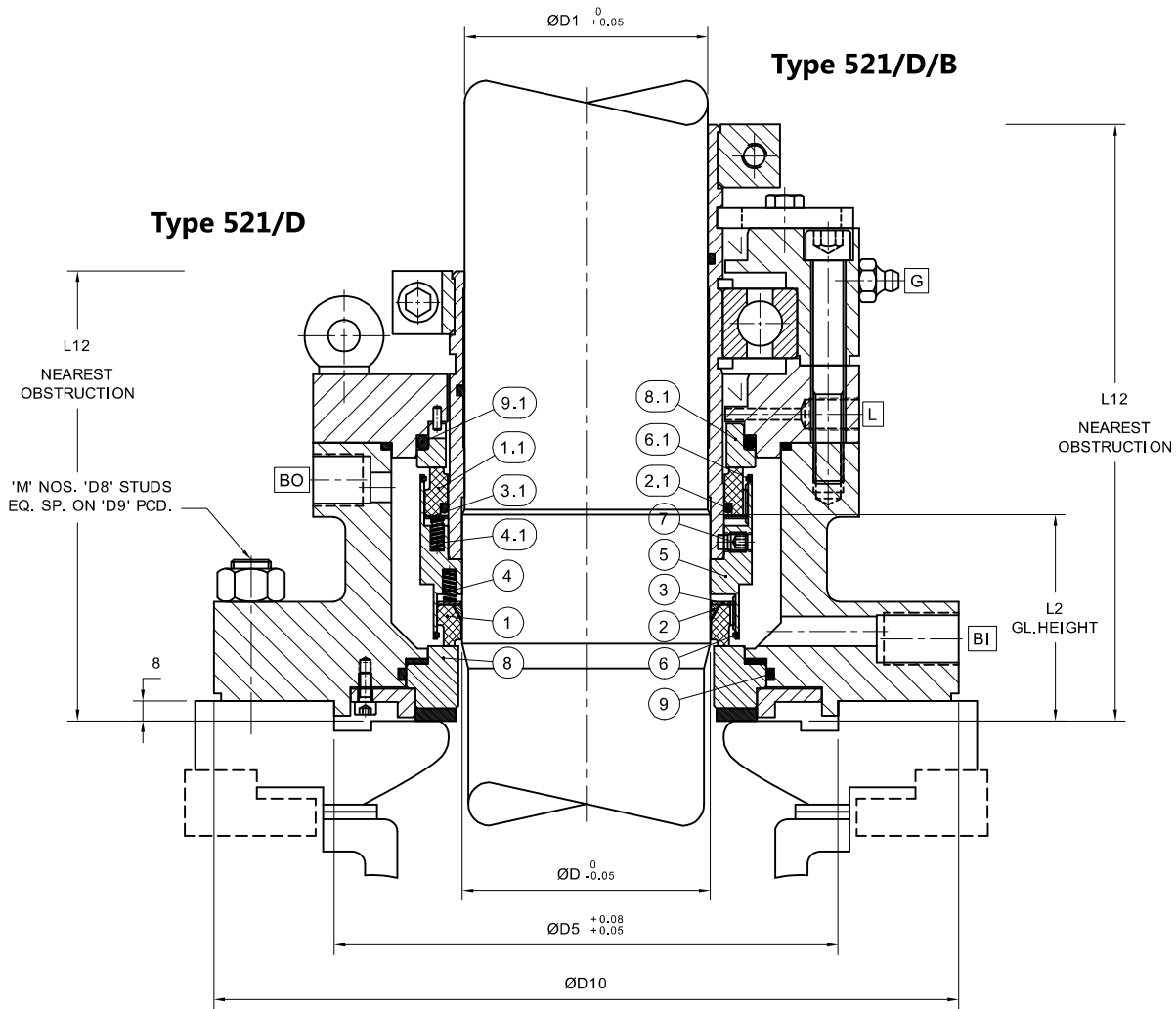


### MATERIALS

Seal Ring Faces	: Carbon and SiC
Seat Faces	: Ceramic and SiC
Elastomer	: Viton, TTV, FEP and FFKM
MOC	: SS 316 – CHANGE OF MOC ON REQUEST

### OPERATING CAPABILITIES

Shaft Dia.	: 25mm to 150mm
Pressure	: Full Vacuum to 14 bar
Temperature:	-30°C to 260°C (Depending upon Elastomer)
Speed	: 250 r.p.m.



Part No.	Description	Part No.	Description
1	Seal Ring	5	Spring Holder
1.1	Seal Ring	6	Snap Ring
2	Wedge	6.1	Snap Ring
2.1	O-Ring	7	Set Screw
3	Thrust Ring	8	Seat
3.1	Thrust Ring	8.1	Seat
4	Spring	9	Packing
4.1	Spring	9.1	Packing

SHAFT D mm	D1	D5	M, D8	D9	D10	D10	L12	L12 521D	L12 521DB
40.00	38.00	114.00	4, M16	145.00	170.00	170.00	80.00	170.00	230.00
50.00	48.00	126.00	8, M16	155.00	180.00	180.00	80.00	180.00	240.00
60.00	58.00	137.00	8, M16	170.00	195.00	195.00	90.00	180.00	240.00
80.00	78.00	167.00	8, M16	200.00	225.00	225.00	90.00	200.00	260.00
100.00	98.00	203.00	8, M16	270.00	295.00	295.00	90.00	200.00	260.00
125.00	120.00	220.00	8, M20	295.00	325.00	325.00	103.00	220.00	280.00

Due to continuous improvement specifications and dimensions may change without prior notice.