



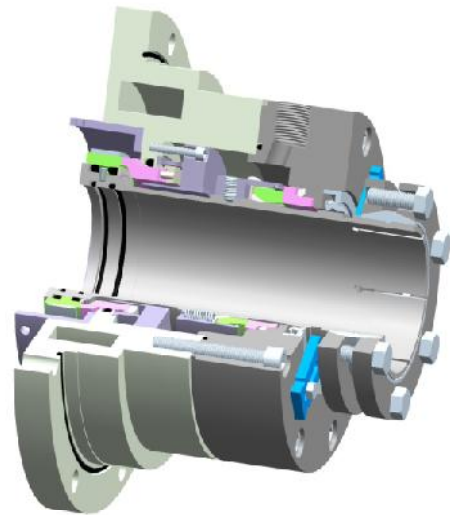
## Type 532/D & 532/D/B - Double Seal For Bottom Entry

### PRODUCT DESCRIPTION

Seal Type 532/D and 532/D/B Mechanical Seals are designed for Bottom and Side Entry Drives in Rectors. Compact Economical Cartridge Double Mechanical Seal. The design may either without bearing (Type 532/D) or with integral bearing (532/D/B). Complete Pre-assembled Tested Unit ready for installation. These Seal are used for Exclusive Solid Seal Faces, Stationary Seats, thus Lowest Level of Seal Face distortion when Expose to Compressive Load and Thermal Pressure.

### DESIGN FEATURES

Balance Pusher Seals using for Sealing Environment. Double Seals are excellent with low RPM Operation in Full Vacuum and Pressure. These Seals are a Multiple Spring Back to Back Arrangement and Balance Seal with 'O' Ring as secondary Sealing member. Various Elastomer can be offer for various Liquid applications. The Cooling Chamber of Seals also having a Standard Feature which helps to maintain Cool Environment around the Seal.



### MATERIALS

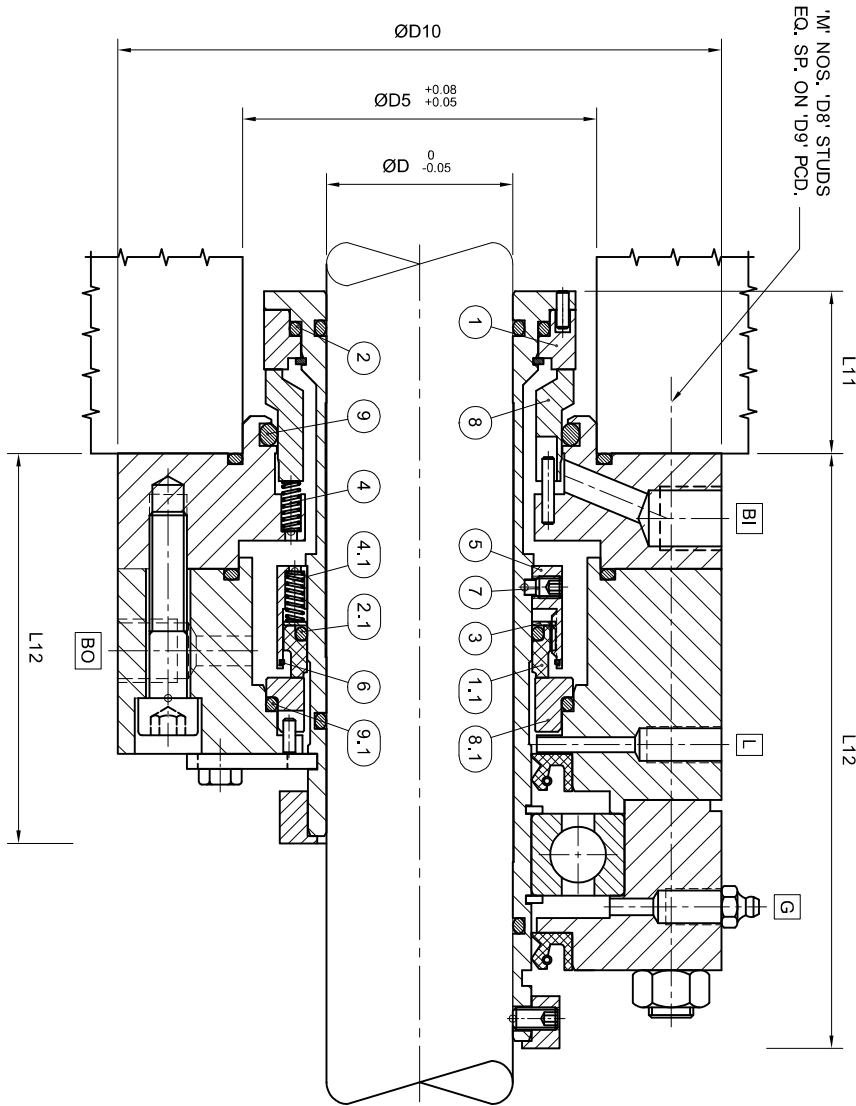
Seal Ring Faces	: Carbon, SiC and TC
Seat Faces	: SiC and TC
Elastomer	: Viton, TTV, FEP and FFKM
MOC	: SS 316 – CHANGE OF MOC ON REQUEST

### OPERATING CAPABILITIES

Shaft Dia.	: 20mm to 150mm
Pressure	: Full Vacuum to 10 bar
Temperature:	-30°C to 260°C (Depending upon Elastomer)
Speed	: 300 r.p.m.

# Double Seal For Bottom Entry

## Type - 532/D & 532/D/B



Part No.	Description
1	Seal Ring
1.1	Seal Ring
2	O-Ring
2.1	O-Ring
3	Thrust Ring
4	Spring
4.1	Spring
5	Spring Holder
6	Snap Ring
7	Set Screw
8	Seat
8.1	Seat
9	O-Ring
9.1	O-Ring

SHAFT D mm	D5	M,D8	D9	D10	L11	L12 532D	L12 532DB
25.00	70.00	4, M10	100.00	120.00	38.00	120.00	180.00
30.00	75.00	4, M10	110.00	130.00	38.00	120.00	180.00
35.00	80.00	4, M10	125.00	145.00	38.00	120.00	180.00
40.00	85.00	4, M10	130.00	150.00	38.00	130.00	190.00
45.00	90.00	6, M10	135.00	155.00	43.50	130.00	190.00
50.00	95.00	6, M10	140.00	160.00	43.50	130.00	190.00
55.00	100.00	6, M10	145.00	165.00	43.50	140.00	200.00
60.00	110.00	6, M10	160.00	180.00	43.50	140.00	200.00
65.00	115.00	6, M12	165.00	190.00	43.50	140.00	200.00
70.00	120.00	6, M12	170.00	195.00	48.50	150.00	210.00
75.00	120.00	6, M12	175.00	200.00	48.50	150.00	210.00
80.00	125.00	6, M12	180.00	205.00	48.50	150.00	210.00
85.00	125.00	8, M12	185.00	210.00	48.50	150.00	210.00
90.00	130.00	8, M12	190.00	215.00	48.50	170.00	225.00
95.00	130.00	8, M12	195.00	220.00	48.50	170.00	225.00
100.00	140.00	8, M12	200.00	225.00	52.00	170.00	225.00
105.00	140.00	8, M16	210.00	240.00	52.00	190.00	240.00
110.00	160.00	8, M16	220.00	250.00	52.00	190.00	240.00
115.00	170.00	8, M16	230.00	260.00	52.00	190.00	240.00
120.00	180.00	8, M16	240.00	270.00	52.00	190.00	240.00

Due to continuous improvement specifications and dimensions may change without prior notice.