



Type 51B

Type 52B

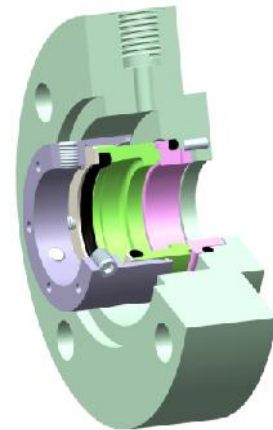
Seal Type 51B & 52B - Multi Spring

PRODUCT DESCRIPTION

Seal Type 51B is recommended for clean media application. Seal Type 52B is Standard for using where Corrosive Liquid are being Processed . PTFE Wedge Construction of the Secondary Sealing Member provides Universal Service application. Construction of these Seal designs hold whole Rotary Parts together with the help of Snap Ring which is installation and removal is make easiest. These Type of Seal designed and used for Petroleum Products, Low Aggressive Chemicals and Refrigerants in Centrifugal Pumps and other Equipment with Rotating Shafts

DESIGN FEATURES

Balance Pusher Seals available in Single and Dual Configuration used for Sealing Environmentally Duel Direction. Mechanical Seal Drive – Reduces Slippage on Shaft or Sleeve to eliminate Galling and Premature Wear. Hydraulically Balanced Seal permits using in Higher Pressure as well as it creates Low Heat Generated on Faces and provides long life. Flushing Ports helps to reduces the Heat for Uniform Face Cooling. Seal Type 51B is 'O' Ring Seal design helps to eliminate scoring on Shaft and Sleeve area. Use of 'O' Ring Seal Design is depends on suitable applications. Seal Type 52B is Wedge design which helps to Creates Positive Seal use in Extreme Temperature, Chemical application. Using of suitable Coating on sealing area to Eliminate Scoring on Shaft and Sleeve



Design also available as per DIN EN 12756 standard

MATERIALS

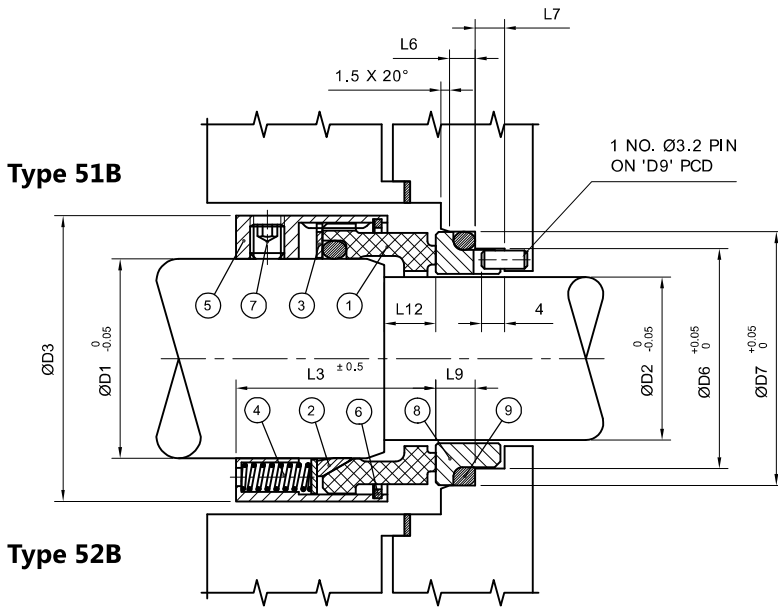
Seal Ring Faces	: Carbon, GFT, SiC and TC
Seat Faces	: Ceramic, SiC and TC
Elastomer	: Viton, PTFE, GFT, EPDM, NBR, Buna-N and FFKM
MOC	: SS 316, Hast -C and Alloy - 20

OPERATING CAPABILITIES

Shaft Dia.	: 10mm to 100mm
Pressure	: Up to 30 bar
Temperature:	-20°C to 260°C (Depending upon Elastomer)
Speed	: 3000 r.p.m.

Type - 51B & 52B

Multi Spring



- | Part No. | Description |
|----------|------------------|
| 1 | Seal Ring |
| 2 | O-Ring / Wedge |
| 3 | Thrust Ring |
| 4 | Spring |
| 5 | Spring Holder |
| 6 | Snap Ring |
| 7 | Set Screw |
| 8 | Seat |
| 9 | O-Ring / Packing |

SEAL SIZE		D2	D3	D6	D7	D9	L3	L6	L7	L9	L12
inch	mm										
0.875	22.22	15.88	36.50	25.70	31.75	22.00	30.00	4.50	5.50	6.80	7.50
1.000	25.40	19.05	38.80	28.80	34.92	25.00	34.00	4.50	5.50	6.80	8.00
1.125	28.58	22.22	43.50	32.00	38.10	28.50	35.50	4.50	5.50	6.80	9.50
1.250	31.75	25.40	46.80	35.20	41.28	31.50	35.50	4.50	5.50	6.80	9.50
1.375	34.92	28.58	50.00	38.30	44.45	34.50	35.50	4.50	5.50	6.80	9.50
1.500	38.10	31.75	53.50	41.60	47.62	37.90	35.50	4.50	5.50	6.80	9.50
1.625	41.28	34.92	57.00	44.70	50.80	41.10	38.00	5.00	5.50	8.15	11.0
1.750	44.45	38.10	60.00	47.90	53.98	44.30	38.00	5.00	5.50	8.15	11.0
1.875	47.62	41.28	63.50	54.30	60.30	50.50	38.00	5.00	5.50	8.15	11.0
2.000	50.80	44.45	66.70	57.50	63.50	57.00	38.00	5.00	5.50	8.10	11.0
2.125	53.98	47.62	69.50	60.60	66.68	61.00	40.00	5.50	6.50	9.00	12.0
2.250	57.15	50.80	72.50	63.80	69.85	61.00	40.00	5.50	6.50	9.00	12.0
2.375	60.32	53.98	76.50	70.10	76.20	66.40	40.00	5.50	6.50	9.00	12.0
2.500	63.50	57.15	79.50	73.30	79.38	69.30	43.00	5.50	6.50	9.00	12.0
2.625	66.68	60.32	82.50	76.50	82.55	72.50	43.00	6.00	7.50	9.80	12.0
2.750	69.85	63.50	85.70	79.65	85.72	76.00	43.00	6.00	7.50	9.80	12.0
2.875	73.02	66.68	93.50	79.65	85.72	76.00	45.50	7.50	5.50	11.90	12.5
3.000	76.20	69.85	96.70	82.80	88.90	79.00	45.50	7.50	5.50	11.90	12.5
3.125	79.38	73.02	101.50	85.70	95.25	81.40	47.00	7.50	5.50	11.90	12.5
3.250	82.55	76.20	104.70	88.90	98.42	85.30	47.00	7.50	5.50	11.90	12.5
3.375	85.72	79.38	108.00	92.10	101.60	88.40	48.50	7.50	5.50	11.90	12.5
3.500	88.90	82.55	111.00	95.30	104.78	91.50	48.50	7.50	5.50	11.90	12.5
3.625	92.08	85.72	114.00	98.40	107.95	94.00	48.50	8.50	5.80	13.00	12.5
3.750	95.25	88.90	118.50	101.60	111.12	97.50	50.50	8.50	5.80	13.00	12.5
3.875	98.42	92.08	120.50	104.75	114.30	100.50	50.50	8.50	5.80	13.00	12.5
4.000	101.6	95.25	124.70	108.00	117.48	104.00	50.50	8.50	5.80	13.00	12.5

