



Seal Type 61U & 62U - Single Spring

PRODUCT DESCRIPTION

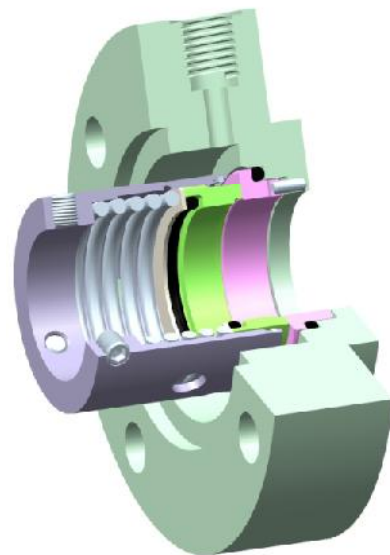
Seal Type 61U Mechanical Seal are Internally Mounted Unbalanced design which Seal having 'O' Ring as a Secondary Sealing member. Seal Type 62U Mechanical Seal are Internally Mounted Unbalanced design which Seal having PTFE Wedge as a Secondary Sealing member. Secondary Sealing member can be changed as per Chemical Compatibility. The Helical Coil Spring designed Seal help to Seal the Dirty and Clogging type of application. Construction of these Seals designs hold whole Rotary Parts together with the help of Snap Rings which is make easiest for Installation and Removal.

DESIGN FEATURES

Single Acting Unbalance Pusher type Mechanical Seal. Dual.. Directional Mechanical Seal. Inside Mounted Mechanical Seal. Independent Direction of Rotation. Type 62 seal having Universal Chemical Compatibility due to design of PTFE Elastomer

MATERIALS

Seal Ring Faces	: Carbon, GFT, SiC and TC
Seat Faces	: Ceramic, SiC and TC
Elastomer	: Viton, PTFE, EPDM, NBR, Buna-N
MOC	: SS 316



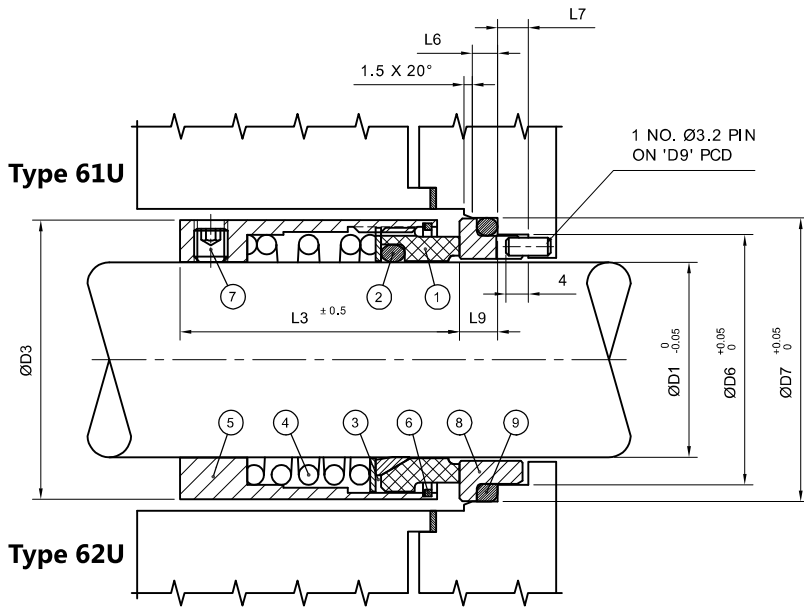
Design also available as per DIN EN 12756 standard

OPERATING CAPABILITIES

Shaft Dia.	: 10mm to 100mm
Pressure	: Up to 8 bar
Temperature:	-20°C to 200°C
Speed	: 3000 r.p.m.

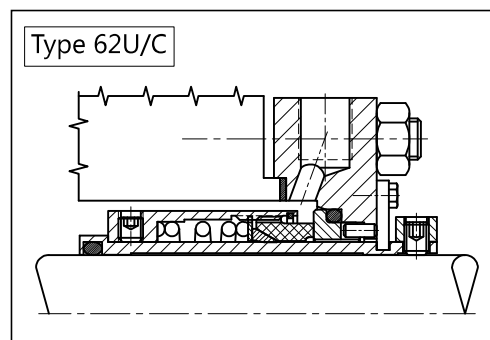
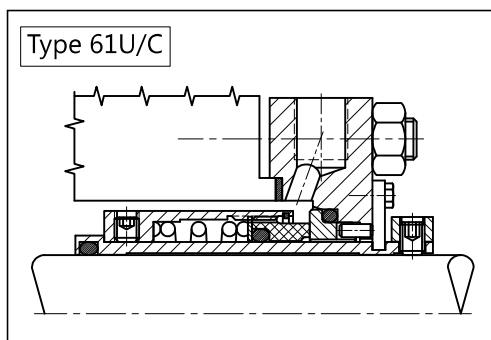


Single Spring
Type - 61U & 62U



- | Part No. | Description |
|----------|------------------|
| 1 | Seal Ring |
| 2 | O-Ring / Wedge |
| 3 | Thrust Ring |
| 4 | Spring |
| 5 | Spring Holder |
| 6 | Snap Ring |
| 7 | Set Screw |
| 8 | Seat |
| 9 | O-Ring / Packing |

SEAL SIZE		D3	D6	D7	D9	L3	L6	L7	L9
inch	mm								
0.875	22.22	36.50	32.00	38.10	28.50	35.00	4.50	5.50	6.80
1.000	25.40	38.80	35.20	41.28	31.50	41.30	4.50	5.50	6.80
1.125	28.58	43.50	38.30	44.45	34.50	41.30	4.50	5.50	6.80
1.250	31.75	46.80	41.60	47.62	37.90	44.50	4.50	5.50	6.80
1.375	34.92	50.00	44.70	50.80	41.10	50.80	4.50	5.50	6.80
1.500	38.10	53.50	47.90	53.98	44.30	50.80	4.50	5.50	6.80
1.625	41.28	57.00	54.30	60.30	50.50	50.80	5.00	5.50	8.15
1.750	44.45	60.00	57.50	63.50	57.00	50.80	5.00	5.50	8.15
1.875	47.62	63.50	60.60	66.68	61.00	50.80	5.00	5.50	8.15
2.000	50.80	66.70	63.80	69.85	61.00	50.80	5.00	5.50	8.10
2.125	53.98	69.50	70.10	76.20	66.40	50.80	5.50	6.50	9.00
2.250	57.15	72.50	73.30	79.38	69.30	50.80	5.50	6.50	9.00
2.375	60.32	76.50	76.50	82.55	72.50	50.80	5.50	6.50	9.00
2.500	63.50	79.50	79.65	85.72	76.00	54.00	5.50	6.50	9.00
2.625	66.68	82.50	79.65	85.72	76.00	54.00	6.00	7.50	9.80
2.750	69.85	85.70	82.80	88.90	79.00	54.00	6.00	7.50	9.80
2.875	73.02	93.50	85.70	95.25	81.40	60.30	7.50	5.50	11.90
3.000	76.20	96.70	88.90	98.42	85.30	60.30	7.50	5.50	11.90
3.125	79.38	101.50	92.10	101.60	88.40	63.50	7.50	5.50	11.90
3.250	82.55	104.70	95.30	104.78	91.50	63.50	7.50	5.50	11.90
3.375	85.72	108.00	98.40	107.95	94.00	63.50	7.50	5.50	11.90
3.500	88.90	111.00	101.60	111.12	97.50	63.50	7.50	5.50	11.90
3.625	92.08	114.00	104.75	114.30	100.50	63.50	8.50	5.80	13.00
3.750	95.25	118.50	108.00	117.48	104.00	66.70	8.50	5.80	13.00
3.875	98.42	120.50	111.10	120.65	107.00	66.70	8.50	5.80	13.00
4.000	101.6	124.70	114.30	123.82	110.00	66.70	8.50	5.80	13.00



Due to continuous improvement specifications and dimensions may change without prior notice.